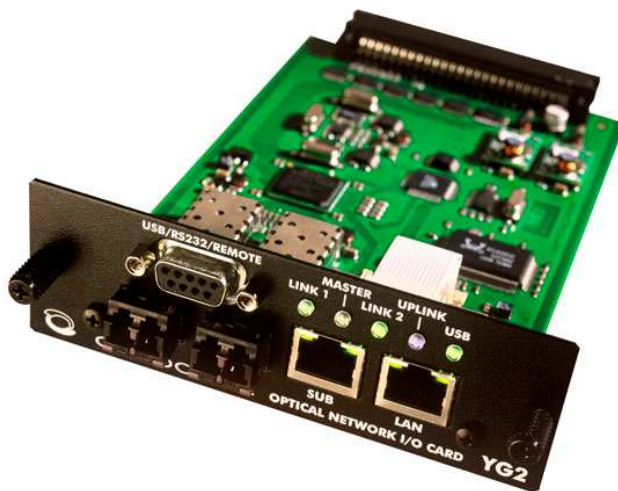




OPTOCORE



Operating Manual for OPTOCORE YG2/YS2

OPTICAL DIGITAL miniYGDAL cards for YAMAHA DEVICES
Optical Network I/O Cards

© Copyright 2015 All rights reserved

OPTOCORE GmbH
Lohenstr. 8
82166 Munich-Gräfelfing
Germany

YG2 / YS2 – miniYGDAL card for Yamaha

Operating Manual
Rev. 2.2

Page intentionally left blank.

Important Safety Instructions

- Please read this manual carefully.
- Please keep this operating manual in a safe place.
- Heed all warnings.
- Follow all instructions.
- This device may only be used in accordance to the information provided in this operating manual. Ensure that all recommendations, especially the safety recommendations as detailed in this operating manual, are followed before and during the usage of the device.
- Do not use the card near water, for example, in humid or damp rooms.
- Clean only with a dry cloth.
- Install the card in accordance to the operating manual.
- Do not place the card near any heat source such as radiators, power-amplifiers, or any other heat producing equipment.
- Never switch on power amplifiers before the complete system is stable and the level meters of the OPTOCORE CONTROL software indicate a normal level.
- The card may only be used in accordance to the information provided in this operating manual. Ensure that all recommendations, especially the safety recommendations as detailed in this operating manual, are followed before and during the usage of the card.
- Only use attachments specified by the manufacturer.
- The card contains no user serviceable parts: only refer to authorized, qualified service personnel for any servicing.
- Your warranty will be voided if you tamper with the internal components.

- **Purchaser Information**

- **Operating Manual**

Please read this manual – if you call for technical support, we'll assume that you have studied the operating manual carefully in order to familiarize yourself with the cards and its operation. It contains numerous information and hints for the proper use of the cards.

It cannot be excluded that this operation manual shows typographical mistakes or misprints; it is however regularly revised.

Modifications, which serve the purpose of technical improvement of the cards, may be carried out without prior notification.

- **Transport and Shipping**

Always ensure careful handling of the device. The device should be transported and shipped in shock-absorbing transport cases. If these are not available, we recommend well-padded packaging such as the coated carton in which the device was delivered.

- **Handling**

To prevent damage through electrostatic discharge (ESD) do not touch the electrical components directly. While inserting the card into the slot of a console, hold the card at its front panel or by the use of rack mount screws.

- **Environments**

This device can be used in E1, E2, E3, E4, or E5 environments (as listed below) according to the harmonised European standards EN55103-1 and EN55103-2 "Electromagnetic compatibility – Product family standard for audio, video and audio-visual and entertainment lighting control apparatus for professional use"

E1-Residential

E2-Commercial and light industrial

E3-Urban outdoors

E4-Controlled EMC environment e.g. broadcast and TV-studio

E5-Heavy industry

The product is intended for use in moderate climates..

- **Water and Moisture etc.**

To prevent fire or shock hazard do not expose the device to direct sunlight, dust, water, or rain during operation or storage.

- **Cleaning**

Never use liquids or cleansing agents containing solvents to clean the device.

- **Operating and Storage Temperature**

Operating temperature: $-20^{\circ}\text{C} \dots 50^{\circ}\text{C} \equiv -4^{\circ}\text{F} \dots 122^{\circ}\text{F}$; ensure proper ventilation

Storage temperature: $-20^{\circ}\text{C} \dots 60^{\circ}\text{C} \equiv -4^{\circ}\text{F} \dots 140^{\circ}\text{F}$

- **Power Supply**

The console in which the card is mounted provides power supply and grounding.

- **Lightning**

For additional protection of this device during lightning storms, or when it is left unattended and unused for a long period of time, disconnect the console mains power. This will prevent damage to the device due to lightning and power line surges. Disconnection from the mains power supply is only possible by disconnecting the power plug from the mains socket.

- **Eye Safety**

This product is a Laser Class 1 product. It complies with IEC 60825-1, FDA 21 CFR 1040.10, and 1040.11.

- **External objects and/or liquids**

Never push objects of any kind into the device through openings in the casing. They may come into contact with dangerous voltage points or short out parts that could result in a fire or electric shock. Never spill liquid of any kind on the device.

- **Cables and Accessories**

Only use attachments that are specified by the manufacturer of the device.

Use high quality, properly terminated, cables to connect the device.

- **Servicing**

Do not attempt to service this device yourself.

The device contains no user serviceable parts, components or controls.

The device may not be serviced, altered or modified without authorisation from Optocore or an Optocore authorised distributor / dealer. Only qualified service personnel may carry out repair and maintenance work on the device. The warranty of the device will be voided if any unauthorized maintenance or repair work has been carried out.

CE/FCC-Conformity

This document confirms that the product YG2/YS2 bearing the CE (Communauté Européenne) label meets all requirements in the EMC directive 2004/108/EG laid down by the Member States Council for adjustment of legal requirements. Furthermore the product complies with the rules and regulations of the low-voltage directive 2006/95/EG and the Restriction of Hazardous Substances Recast Directive 2011/65/EU (RoHS 2). This product bearing the CE label complies with the following standards, ratified by CENELEC (Comité Européen de Normalisation Electrotechnique):

Electromagnetic compatibility – Product family standard for audio, video, audio-visual and entertainment lighting control apparatus for professional use

EN 55103-1, Emission

EN 55103-2, Immunity

EN 60065, Safety requirements

FCC notice

This device complies with Part 15 of the FCC Rules. Operation is subject to the following two conditions:

- (1) this device may not cause harmful interference, and
- (2) this device must accept any interference received, including interference that may cause undesired operation.

NOTE: This equipment has been tested and found to comply with the limits for a Class A digital device, pursuant to Part 15 of the FCC rules. These limits are designed to provide reasonable protection against harmful interference when the equipment is operated in a commercial environment. This equipment generates, uses and can radiate radio frequency energy and, if not installed and used in accordance with the instruction manual, may cause harmful interference to radio communication. Operation of this equipment in a residential area is likely to cause harmful interference, in which case you will be required to correct the interference at his own expense.

Changes or modifications not expressly approved by Optocore GmbH could void the user's authority to operate this equipment.

Industry Canada Compliance Statement

This Class[A] digital device complies with Canadian ICES-003.

Avis de conformité à la réglementation d'Industrie Canada

Cet appareil numérique de la class[A] est conforme à la norme NMB-003 du Canada.

The authorised declaration and compatibility certification lies with the manufacturer and can be viewed on request. Responsible as manufacturer is:

OPTOCORE GmbH, Lohenstr. 8, 82166 Munich-Gräfelfing, Germany

represented by Marc Brunke, Managing Director

N.B. The awarding of the CE label confirms the compliance with legal directives issued for the manufacturer and marketing of electronic and electrical devices. As such the CE label is not a "seal of quality" but rather proof that the device bearing the CE label conforms with the electromagnetic compatibility standards laid down in the above named testing regulations.

Munich, 11.12.2013



Marc Brunke

YG2 / YS2 Optical Digital Mini - YGDAI Cards for Yamaha Devices

Table of Contents

Important Safety Instructions	3
CE/FCC-Conformity	6
Device Description	8
Front Panel YG2	9
YG2 Cards Details	10
Digital Audio	10
LC-Connectors	10
HA Remote	10
USB/RS232/REMOTE Auxiliary Port	10
LAN Port	10
SUB Port	10
RS232-Connection	10
USB-Connection	10
Transmission Delay	10
Control	10
Front Panel YS2	11
YS2 Cards Details	12
Digital Audio	12
SUB Port	12
Starting Up	13
Hardware Connection	13
Optocore Network Setup	13
Connectors and Cables	14
Optical Connection	14
MAIN/SUB Ports	14
RS232-Connection	14
Connector Hood Quality	14
USB-Connection	14
LAN-Connection	14
Network Example	15
Device Compatibility	16
Connection Tables	17
YG2 Cards D-SUB9 Connector	17
YS2 Cards D-SUB9 Connector	17
Technical Specifications	18
YG2 Card	18
YS2 Card	18
Dimensions and Weight	19
Warranty	20
Shipping Contents	21
Company Information	21

Device Description

Congratulations on your purchase of an YG2 / YS2 Optical Digital Mini - YGDAI Card. The YG2 / YS2 cards will quickly convince you with their advantages and will facilitate your day-to-day work with Yamaha consoles and devices such as the CL, QL, PM or DM series devices. YG2 / YS2 cards offer a broad flexibility in all sorts of temporary and permanent applications, especially when long distance connections, high-quality audio transmission, extremely low latency or high security is required.

The main card YG2 allows a direct connection of Yamaha consoles with the OPTOCORE ® OPTICAL DIGITAL NETWORK SYSTEM. The YG2 card is capable to insert up to 64 audio channels IN and extract 64 audio channels OUT of the Optocore network simultaneously. Inserted into the device slot the YG2 exchanges a maximum of 16IN / 16OUT audio channels according to the Yamaha Mini - YGDAI standard with the device.

Additional YS2 sub cards can be inserted into the remaining slots. Connected to an YG2 card via CAT5 cables using the RJ45 "SUB" port, the YS2 cards increase the number of audio channels available at the Yamaha device up to 64IN / 64OUT (32IN / 32OUT @ 96kHz) per YG2 card. Each YS2 card also exchanges a maximum of 16IN / 16OUT audio channels according to the Yamaha Mini - YGDAI standard with the device.

YG2 and YS2 cards can be switched between 8/16-channel mode on the Mini - YGDAI slot via software. Up to 3 YS2 cards can be connected to an YG2 card in 16-channel mode, up to 7 YS2 cards in 8-channel mode. Please refer to Chapter "Device Compatibility" for more information regarding the compatibility of your console or device.

A number of YG2 cards can be inserted into the slots of one device to extend the number of channels handed over to the Optocore network, e.g. a maximum of 128IN and 128OUT by inserting two YG2 cards in an Yamaha PM1D system.

The YG2 front panel offers several outstanding features:

- Two LC-type optical interfaces for data transmission into the Optocore network and connection of any Optocore device for instance the DD32R-FX, X6R-FX.
- One RJ45 LAN port for connection of any standard 10/100MBit Ethernet device, transport of control or any Ethernet compatible data via the Optocore network.
- USB/RS232/Remote (D-Sub-9) port for remote control, software update, connection of external PC, and 2 x RS422 e.g. for transport of Yamaha Remote Protocol to AD8HR by a link to the HA Remote interface of the console.
- Direct pick up of HA Remote signals from the console slot e.g. provided in Yamaha LS9, QL and CL series.
- One RJ45 SUB port for connection of additional YS2 cards.

The YS2 front panel includes:

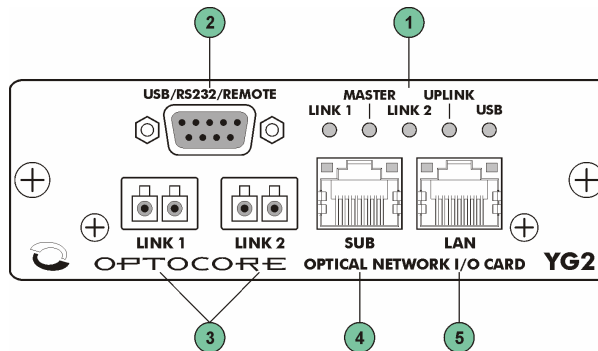
- RS232 port for upgrading via PC.
- One RJ45 SUB port for connection of the MAIN port of additional YS2 cards via CAT5 cable.
- One RJ45 MAIN port for connection of the SUB port of additional YS2 or YG2 cards via CAT5 cable

The YG2 / YS2 cards and any other Optocore device on stage e.g. X6R-FX linked by a fiber optical cable can easily replace an analog multi-conductor cable, weighting only a fraction of a conventional copper cored one. In 'Yamaha Mode' the YG2 / YS2 cards allow the gain control of Optocore microphone preamps on stage, as X6R-Series, using a Yamaha FOH digital console.

Due to SMD production the YG2 / YS2 cards fulfils the demand of highest digital standards. The FPGA (field programmable gate array) based concept of the internal logic circuitry, permits updating of the hardware via the units remote ports, ensuring continual state-of-the-art cards.

Through the USB or RS232 port of the YG2 card OPTOCORE CONTROL software can control the entire Optocore network. OPTOCORE CONTROL software is used to change the configuration or define own settings. It provides easy access to all configuration and control tools, including routing, naming, gain setting, and phantom power activation for attached devices such as X6R-FX, storage and recall of configurations on the computer, off- and online mode, real-time level display of the individual channels in online mode.

Front Panel YG2



- | | | |
|----------|--|---|
| <p>①</p> | <p>Link 1 LED:
 Master LED:
 Link 2 LED:
 Uplink LED:
 USB LED:</p> | <p>Communication is established via Optocore LINK 1
 Indicates the Word Clock Master unit
 Communication is established via Optocore LINK 2
 There is other device with physical Ethernet port enabled on the network
 USB connection for remote control and update via PC
 Green: Indicates data activity</p> |
| <p>②</p> | <p>USB/RS232/REMOTE:</p> | <p>D-Sub-9 plug containing following interfaces:
 RS232 port for remote control and update via PC
 USB port for remote control via PC
 2 x RS422 ports e.g. for Yamaha HA Remote protocol exchange with console</p> <p>Use the TRI-Y cable, provided with the YG2 card. See chapter “Connection Tables” for detailed pin out. For updating via PC a standard RS232 cable is sufficient.</p> |
| <p>③</p> | <p>LINK 1:

LINK 2:</p> | <p>Full-duplex, full bandwidth LC-type optical interface for Optocore transmission (SFP multimode transceiver included, singlemode transceiver option available on demand)

 Full-duplex, full bandwidth LC-type optical interface for Optocore transmission (SFP multimode transceiver included, singlemode transceiver option available on demand)</p> |
| <p>④</p> | <p>SUB:</p> | <p>RJ45 port for connection towards the YS2 cards “SUB” port with CAT5 cable</p> |
| <p>⑤</p> | <p>LAN:</p> | <p>100 Mbit RJ-45 Ethernet interface</p> |

YG2 Cards Details

Digital Audio

The YG2 digital audio interface is located on the console slot connector. According to the Yamaha Mini - YGDAI standard, the YG2 card features a maximum of 16IN / 16OUT audio channels. Using the OPTOCORE CONTROL software the card can be switch to 8 channel mode for Yamaha devices providing 8IN / 8OUT audio channels, such as the DIO8. (Please refer to chapters "Optocore Network Setup" and "Device Compatibility")

LC-Connectors

The dual, 1Gbps full bandwidth optical interfaces are equipped with LC-connectors, commonly used and absolutely reliable under normal conditions. For rough applications such as touring and rental the 1U OptoCon panel, with rugged and secure fiber optic connectors can be added to a side rack.

HA Remote

The YG2/YS2 card supports direct pick up of HA Remote signals from the console slot (HA remote signal is available only on Slot1 in a console) e.g. provided in Yamaha CL, QL or LS9 series. If the console does not provide the HA Remote signal on the console slot, the signal can be applied externally to the USB/RS232/REMOTE port.

USB/RS232/REMOTE Auxiliary Port

Two RS422 digital channels with a data transfer rate of up to 1Mbps are provided via D-SUB-9 connector on the front panel. The two channels are software patchable to any Optocore device featuring RS485/RS422 auxiliary ports. The Yamaha HA Remote protocol can be applied from the consoles external HA Remote port and transported to any device in the Optocore network by using the provided TRI-Y cable, enabling the connection and remote control of Optocore or Yamaha converters directly from the console.

LAN Port

A 10/100 Mbps Fast Ethernet interface is provided via RJ45 port. All LAN ports of the Optocore devices within the Optocore network form a virtual switch with physically distributed ports. We recommend using a standard CAT5 network cables to connect any Ethernet device such as a standard Ethernet switch for local distribution.

SUB Port

The SUB port offers the possibility to extend the number of channels transmitted to the console if connected to the MAIN port of an YS2 card using a standard CAT5 cable.

RS232-Connection

A RS232 port is provided within the D-SUB-9 connector on the front panel. It can be used to upgrade the cards internal logic or to connect it with the OPTOCORE CONTROL software.

USB-Connection

The D-SUB9 connector also provides an USB port. It allows you to connect with the OPTOCORE CONTROL software as well as for firmware upgrade.

Please note:

Upgrading the cards internal logic is only possible using the RS232 connection.

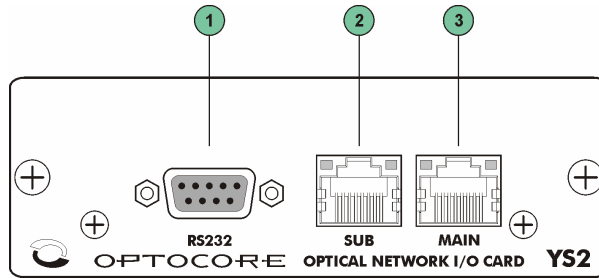
Transmission Delay

The Optocore system delay, including the matrix, is fixed to 41,6 μ s for all channels. The transport delay per Optocore unit (<200 ns) in the network is insignificant. The transmission delay is constant from any point to any point. Overall delay depends on converters and fiber cable length, with 'normal' cable lengths of <700 m it can also be considered as marginal.

Control

Controlling of all devices in the Optocore network including Optocore converter modules is achieved from any unit using the OPTOCORE CONTROL software via RS232 or USB port. Both ports are available using D-SUB-9 connector on the front panel. If previously adapted by Optocore, third party protocols for card controlling can be activated via OPTOCORE CONTROL menu *SET / SPECIAL MODE*, for example the "Yamaha mode" to control the Optocore mic-preamps from a Yamaha-console.

Front Panel YS2



- 1** **RS232 plug:** RS232 port for upgrading the cards internal logic via PC
- 2** **SUB port:** RJ45 port for connection towards the MAIN port of YS2 card with CAT5 cable
- 3** **MAIN port:** RJ45 port for connection towards the SUB port of a YG2 or YS2 card with CAT5 cable

YS2 Cards Details

Digital Audio

The YS2 digital audio interface is located on the console slot connector. According to the Yamaha Mini - YGDAI standard the YS2 card features a maximum of 16IN / 16OUT audio channels. Using the OPTOCORE CONTROL software the card can be switch to 8 channel mode for Yamaha consoles providing 8IN / 8OUT audio channels, such as the DIO8. (Please refer to chapters "Optocore Network Setup" and "Device Compatibility")

SUB Port

The SUB port offers the possibility to extend the number of channels transmitted to the console if connected to the MAIN port of an YS2 card using a standard CAT5 cable.

MAIN Port

The MAIN port is connected to the SUB port of an YG2 card. In a chain of several YS2 cards it is connected to the SUB port of the next YS2 card towards direction of the YG2 card.

Starting Up

In order to install the YG2 / YS2 Mini - YGDAI cards, proceed as follows:

Make sure that the power is turned off. Loosen the screws that hold the slot cover and remove the slot cover. Keep the slot cover in a safe place. Match the edges of the card with the guardrails inside the slot and insert the card. Push the card all the way into the slot ensuring that the connector at the end of the card is correctly mated with the connector inside the slot. Use the screws included with the card to fasten the card in place. Malfunctions or incorrect operation may occur if the card is not fixed correctly.

Hardware Connection

To get the YG2 / YS2 card system going, please be sure that the main power of the console is turned off before inserting the cards into the Mini - YGDAI slots. Please refer to your consoles manual for detailed information. Interconnect all cards with the provided CAT5 cables using the SUB / MAIN interfaces as shown in the chapter "Optocore Network Setup". Connect the provided TRI-Y cable for the Optocore network setup via USB port. Do not connect the optical cables yet.

Optocore Network Setup

Before connecting the YG2 card to further Optocore devices by the optical LINK, assure that all devices have a basic set-up in order to be able to operate correctly. For operation safety reasons, some settings (e.g. "ID") are only allowed to be made when locally connected to a device. The best approach to check the settings is to connect locally to every single device of the Optocore network with a PC using either RS232 or USB connection (use the provided TRI-Y Cable for USB), run the OPTOCORE CONTROL software and enter menu *SET / LOCAL SETTINGS*.

The following descriptions only relate to YG2 / YS2 cards settings:

YG2 Card

- **General -> ID:** Set each device in the optical network to a unique ID. Device IDs must be unique in the entire Optocore network. Set the YG2 card inserted in the main console (when using several consoles) to ID1 and check the "Master Priority" flag. This determines the card to be the internal word clock master for the Optocore network.
- **General -> Card ID:** Set the ID to either "MY-16AT emulation" or "MY-8AT emulation" depending on the standards of the console. Please refer to the chapter "Device Compatibility" which settings apply for your console.
- **HA Remote via slot: This setting should be used only when you want to control Yamaha AD8HR preamps in the remote location via Optocore network. To control Optocore preamps from Yamaha console use SET / SPECIAL MODE menu and keep this field disabled.** Choose the device ID and port of the destination device to which the HA Remote signal should be transmitted. You can only choose the transmit port, the receive port is assigned automatically. Due to the RS422 standard the two ports are unidirectional. For a bi-directional communication between the devices one transmit and one receive path has to be determined. Make sure that both ports of the destination device match the setting of the YG2 card!
- **HA Remote via front-panel-RS422: This setting should be used only when you want to control Yamaha AD8HR preamps in the remote location via Optocore network. To control Optocore preamps from Yamaha console use SET / SPECIAL MODE menu and keep this field disabled.** If your console does not provide the HA-remote signal on the console slot, choose the destination device ID and its port, to which the HA-Remote Signal should be transmitted and apply the HA-remote signal externally using the provided TRI-Y cable You can only choose the transmit port, the receive port is assigned automatically. Due to the RS422 standard the two ports are unidirectional. For a bi-directional communication between the devices one transmit and one receive path has to be determined. Make sure that both ports of the destination device match the setting of the YG2 card!
- **Ethernet setup:** In order to use the Optocore network for Ethernet transport, the option has to be activated at every device in the Optocore Network. Currently the Optocore network is capable to transport three CVBS Video channels or one CVBS Video channel plus 100 Mbps Fast Ethernet when Ethernet transport is activated. For the YG2 card the activation is done by marking the two boxes "Optocore Ethernet transport" and "Enable local Ethernet".
- **SUB Setup -> SUB Cards:** Set the number of YS2 cards, you have connected to your YG2 card.

Push button "Write" first, confirm with "OK" and press "Close" to exit the dialog.

YS2 Card

- **General -> Card ID:** Set it either to "MY-16AT emulation" or "MY-8AT emulation" depending on the standards of the console. Please refer to chapter "Device Compatibility" which settings to use for your console.

Push button "Write" first, confirm with "OK" and press "Close" to exit the dialog.

Check your console if all cards inserted in the slots have been recognized correctly (please refer to your consoles manual how to do). If you have changed the default settings for "Card ID", a restart of your console is necessary after the change in order to recognize the cards correctly.

You may now connect the optical LINK cables between all Optocore devices.

Note: When connecting the optical LINK cables, for convenience temporarily remove the TRI-Y cable. This especially counts for removing the optical cables.

Check your set-up by connecting to any device using either RS232 or USB connection, running the OPTOCORE CONTROL software and starting "Online Mode" in the "Set" menu. The entire network at its current state is now displayed in the control software. Check the "log window" for any error messages.

Optionally you may connect the TRI-Y cable to the HA Remote port of your console and attach any Ethernet device to the LAN port of your YG2 card.

Connectors and Cables

Optical Connection

Multimode transceivers connected using a 50 μm OM3 fibre cable can be used for applications requiring cable lengths of up to 700 m (worst case).

Single mode transceivers connected using a 9 μm fibre cable can be used for applications requiring cable lengths of up to 70 km (worst case).

The total optical loss should be less than 6dB between transceivers.

For portable applications, such as touring and other temporary installations, ruggedized HMA Expanded Beam Connectors, mounted on 1 RU panels and portable cables on cable drums are available. Please refer to the Product Brochure available at www.optocore.com.

MAIN/SUB Ports

Use standard, fully wired, twisted pair cable (Cat 5, Cat 5e, Cat 6) terminated with RJ-45 connectors.

RS232-Connection

Use a standard shielded RS232 cable.

Connector Hood Quality

Locking screws for D-Sub connectors should be compatible with 4-40 UNC. Care should be taken in selecting the right type of connector hoods in order to fulfil the requirements of EMI-radiation directives. Full metal connector hoods should be used, approved acc. to VDE 0871, FCC 20780 and EMC directive 2004/108/EG, providing attenuation > 40 dB between 30 MHz up to 1 GHz. The shield of the cable should have contact to the connector hood.

USB-Connection

The D-SUB9 connector also provides an USB port. Use the TRI-Y cable, which is provided with every YG2/YS2 card.

LAN-Connection

Use a standard twisted pair cable (Cat-5, Cat-6) with RJ-45 connectors.

Network Example

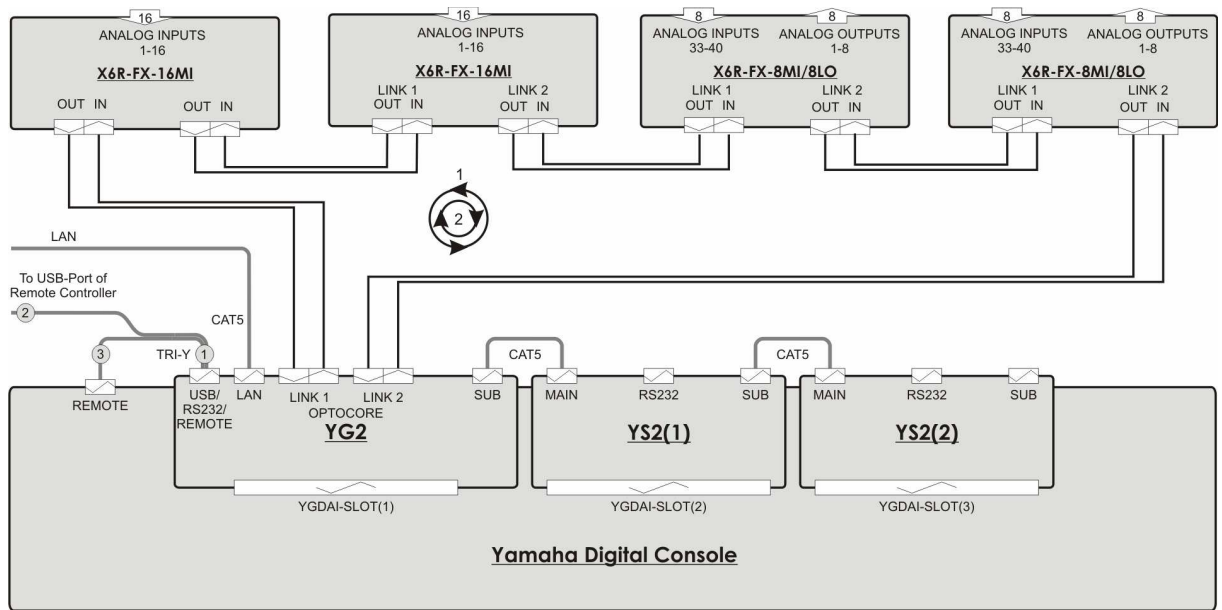


Fig. 1: Wiring of a system with X6R-FX converter units and a Yamaha console with YG2/YS2 cards. In order to control the X6R-converter at the console the Yamaha Emulation Mode (YEM) must be activated in OPTOCORE CONTROL software.

OPTOCORE

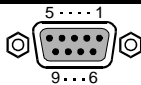
Device Compatibility

The table below lists Yamaha consoles and devices by the number of IN / OUT audio channels supported on one console slot. Set the YG2 / YS2 cards either to "MY-16AT emulation" or "MY-8AT emulation" according to the number of channels supported.

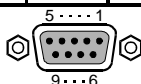
16 IN / 16 OUT MY-16AT Up to 4 x YG2/YS2-TP = 64 IN / 64 OUT	8 IN / 8 OUT MY-8AT 8 x YG2/YS2 = 64 IN / 64 OUT
PM5D / PM5D-RH	DIO8 for PM1D / PM1DV2
M7CL Series	DME32
LS9 Series (with HA remote transport via slot)	AD824
DM2000	DA824
DM1000	
02R96	
01V96	
DME64N / DME24N	
CL Series	
QL Series	
Rivage PM10	
All future products with Mini - YGDAI slots	

Connection Tables

YG2 Cards D-SUB9 Connector

Pin-out		YG2 RS232/USB/RS422							
	Channel	RS232		USB		RS422		GND	Use 1-modem cable, male – female, to connect to PC. <u>Consider non-standard pinning!</u>
		RXD	TXD	+	-	Port1	Port2		
	Pin	3	2	1	6	4, 9	7, 8	5	
D-Sub-9- female									Locking system acc. to 4-40 UNC

YS2 Cards D-SUB9 Connector

Pin-out		YS2 RS232							
	Channel	RS232						GND	Use 1-modem cable, male – female, to connect to PC. <u>Consider non-standard pinning!</u>
		RXD	TXD						
	Pin	3	2					5	
D-Sub-9- female									Locking system acc. to 4-40 UNC

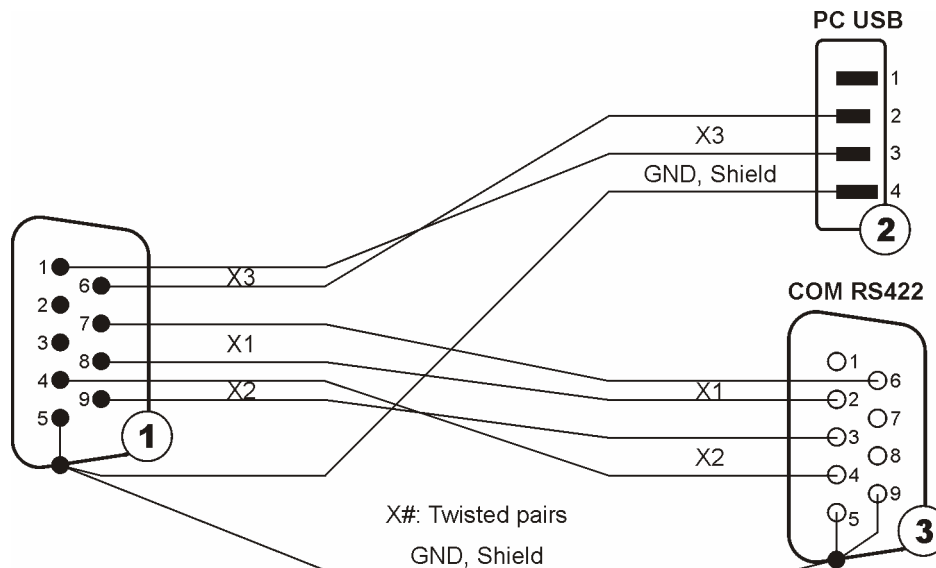
TRI-Y Adapter

The TRI-Y cable combines the two RS422 and the USB-Port for PC connection in one D-Sub-9 connector. It is used to establish the connection from the YG2-Card to a PC USB interface and remote interface of a console.

YG2 Auxiliary Port 2 x RS422 and USB port
 D-Sub-9-male
 Fastening system 4-40 UNC
 X1...X2: RS422
 X2...X3: USB

PC USB
 Type A
 X3: T/R x D

COM RS422
 D-Sub-9-female
 Fastening system 4-40 UNC
 X1: R x D
 X2: T x D



Technical Specifications

YG2 Card

Digital Audio (Mini - YGDAI Slot)	Convention Mini - YGDAI Interface	
HA-Remote (Mini - YGDAI Slot)	Convention Mini - YGDAI Interface	
Data channels	Digital control data	TX / RX up to 1Mbps
Word Clock (Mini - YGDAI Slot)		
Data rate	Dependant on used sample rate	44.1 / 48 / 88.2 / 96kHz +/-100ppm
Optical LINK	Input, Output, Dual – Full bandwidth	
Connection	Duplex LC 50 / 125	
Digital Optical Network System	Optocore	
Transmission art	Full duplex	
Data rate	2 x 1Gbps	
Length of optical waveguide cable	Multimode fiber 50µm	≤ 700m
	Multimode fiber 62.5µm	≤ 350m (not recommended)
	Monomode fiber 9µm	up to 70km (on request)
Auxiliary Ports	Convention EIA / TIA - 422	
Data channels	Digital control data	1 IN / 1 OUT up to 1Mbps
RS232 Port	Convention EIA / TIA - 232	
Data channels	Digital control data	R x D, T x D
Data rate	57 600 Baud	
SUB Port	Convention Optocore 64 channel CAT5	
Cable Type	ANSI/TIA/EIA-568-A, TSB-95	CAT5
Max. Cable length	10 m / 33 feet	
USB Port	Remote control connection	USB 1.1 full speed

YS2 Card

Digital Audio (Mini - YGDAI Slot)	Convention Mini - YGDAI Interface	
SUB / MAIN Port	Convention Optocore 64 channel CAT5	
Cable Type	ANSI/TIA/EIA-568-A, TSB-95	CAT5
Max. Cable length	10 m / 33 feet	
RS232 Port	Convention EIA / TIA - 232	
Data channels	Digital control data	R x D, T x D
Data rate	57 600 Baud	

Dimensions and Weight

Cards Dimensions

YG2 / YS2 Card

H x B x T:	100 x 160 x 40	[mm]
H x W x D:	3.94 x 6.3 x 1.57	[inch]

Cards Weight

YG2 Card

Weight: 365 g / 12.88 ounces

YS2 Card

Weight: 175 g / 6.17 ounces

Package Dimensions

YG2 / YS2 Card

H x B x T:	170 x 225 x 85	[mm]
H x W x D:	6.69 x 8.86 x 3.35	[inch]

Package Weight

YG2 Card

Weight: 540 g / 19.4 ounces

YS2 Card

Weight: 320 g / 11.3 ounces

Please note:

Modifications that serve the purpose of technical improvement may be carried out without prior notification.

Warranty

Summary of Warranty

OPTOCORE YG2/YS2 device is warranted against defects in material and workmanship for 60 months (5 years) from the date of purchase. This warranty does not include mechanical damages caused by misuse. This warranty covers the original registered purchaser only and is not transferable. This warranty does not apply to devices which have been purchased in used condition or demonstrator equipment.

OPTOCORE will, at its discretion, repair or replace a defective product, providing that the defect has occurred under normal operating conditions.

This warranty does not cover damage from acts of God, accident, abuse, neglect, contamination, unauthorised modification, misuse, or operation outside of the environmental specifications for the product, improper site preparation or maintenance, or abnormal conditions of handling. This would include over-voltage failures, and conditions outside of the products specified ratings, problems with customer-supplied software or interfacing, or normal wear and tear of mechanical components. OPTOCORE will acknowledge the evaluation of warranty after inspection.

Not covered by this warranty are defects arising from electromagnetic or electrical interferences, deficiency, excess, or surge of electrical supply, air conditioning, or humidity. This also includes repairs made necessary by dirt, abrasion, moisture, rust, corrosion, or similar conditions.

Devices on which the Serial Number has been removed or defaced are not eligible for warranty service.

OPTOCORE devices contain no user-serviceable components: refer to qualified service personnel for repair or upgrade. The warranty will be void if you tamper with internal components. Please address any questions or inquiries to OPTOCORE or your distributor/dealer.

For a full warranty conditions refer to the Warranty Card attached to every Optocore device with a first shipment.

How to Obtain Warranty Service

When discovering a problem with an OPTOCORE device, you should contact either Optocore directly or a dealer/distributor to determine and confirm a hardware fault. If it is a software issue the hardware must not be returned to OPTOCORE, OPTOCORE will issue a support ticket in this case.

If hardware service is required within the warranty period, take the equipment, along with warranty card, to the nearest authorised OPTOCORE dealer/distributor. The dealer/distributor will make sure that the device is serviced according to the terms of warranty by OPTOCORE or an authorised service centre.

If the equipment needs to be returned directly to OPTOCORE, first contact support@optocore.com.

OPTOCORE requires the serial number of the equipment intended for return, as well as a short description of the problem. If possible, you should also provide us a phone number where you can be reached during regular working hours. To return a defective product, please contact your distributor / dealer. Our web site: <http://www.optocore.com/> provides a complete list of Optocore distributors / dealers.

Make sure the equipment being returned is packed carefully to protect it from damage during shipment. OPTOCORE requires that shipments are pre-paid and insured – unless specifically authorized in advance.

We strongly advise not to use simple flight-cases without rack-in-rack mounting.

Declaration of Liability

Optocore accepts no liability for damage caused to other devices through operation of the YG2/YS2 device.

Optocore is not liable for any damage caused by shipping accidents, misuse, abuse, operation with incorrect AC voltage, operation with faulty peripheral equipment, or improper or careless installation of the device.

Neither OPTOCORE nor anyone involved in the production of the equipment shall be liable for any indirect, special, disciplinary, consequential, or incidental damages arising out of the use or inability to use this equipment even if OPTOCORE has been advised of the possibility of such damages. In no event shall the liability of OPTOCORE exceed the purchase price of any defective equipment.

Optocore accepts no claims for compensation whatsoever (e.g. cancellation of events).

Shipping Contents

YG2 Card

The standard shipment of an YG2 cards contains the following:

- 1 x YG2 Yamaha Mini - YGDAI card
- 1 x TRI-Y Cable
- 1 x Optical patch cable, length 2 m / 6.5ft, LC to SC type connectors, fiber 50µm (multi-mode)
- 1 x operating manual

YS2 Card

The standard shipment of an YS2 cards contains the following:

- 1 x YS2 Yamaha Mini - YGDAI card
- 1 x CAT5 Cable, length 0,25 m /0.82 ft

Any additionally purchased equipment such as optical waveguide cables in required lengths, D-Sub cables and adapters, RS232-cables, and international electric cables have been supplied on your request and your purchase order and cannot be listed in the above.

Company Information

Mailing Address:

OPTOCORE GmbH
Lohenstr. 8
82166 München-Gräfelfing
Germany

Telephone:

+49 – (0)89 – 8999640

Facsimile:

+49 – (0)89 – 89996455

Internet:

www.optocore.com

E-mail:

Inquiry@optocore.com