

## DATA SHEET

## OPTOCABLE 4/150

150m\* rugged environment cable mounted to expanded Beam plugs on a special rubber cable drum OCD-R



### Technical Specifications

Cable Characteristics (typical)	
Cable Diameter	2 core: 5.0mm   4 core: 5.5mm
Weight	2 core: 21kg/km   4 core: 27kg/km
Tensile Load (short term) 1800N	Tensile Load (short term) 1800N
Operating Temperature	55°C to +85°C
Storage Temperature	70°C to +85°C
Crush Resistance 440N/cm	Crush Resistance 440N/cm
Impact Resistance	200 Impacts (EIA/TIA-455-24 Mil)
Minimum Bend Radius	10X Sheath Diameter
Sheath Material / Colour Polyurethane	Matt Black
Connector Specification	
Insertion Loss	9/125 Fibre at 1310nm / 1550nm: 1 to 4 channels: -1.5dB max 50/125 Fibre at 850nm / 1300nm: 1 to 4 channels: -1.0dB max
Return Loss	> 32dB (typical 40dB) singlemode / >20dB multimode
Durability	3000 Matings minimum
Operating Temperature	-40°C to +85°C
Storage Temperature	-55°C to +85°C
Water Immersion	15m
Free Fall Resistance	500 Falls from 1.2m height
Vibration	10-500Hz, 3 directions, 0.75mm amplitude @ 10g acceleration
Bump	4000 bumps @ 40g acceleration
Crush Resistance	6.7kN
Corrosion Resistance	500 Hours Salt Spray
Cable Retention	1500N (Cable Dependant)
Weight (approx)	Plug: 160g   Bulkhead: 150g
Connector Shell Material / Colour	Black anodised Aluminium   Grip & boot: Black or Olive Green

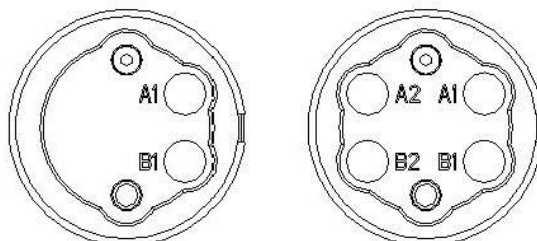


Fig. 1 Optical insert arrangements 2 and 4 channels

\*) other lengths on demand

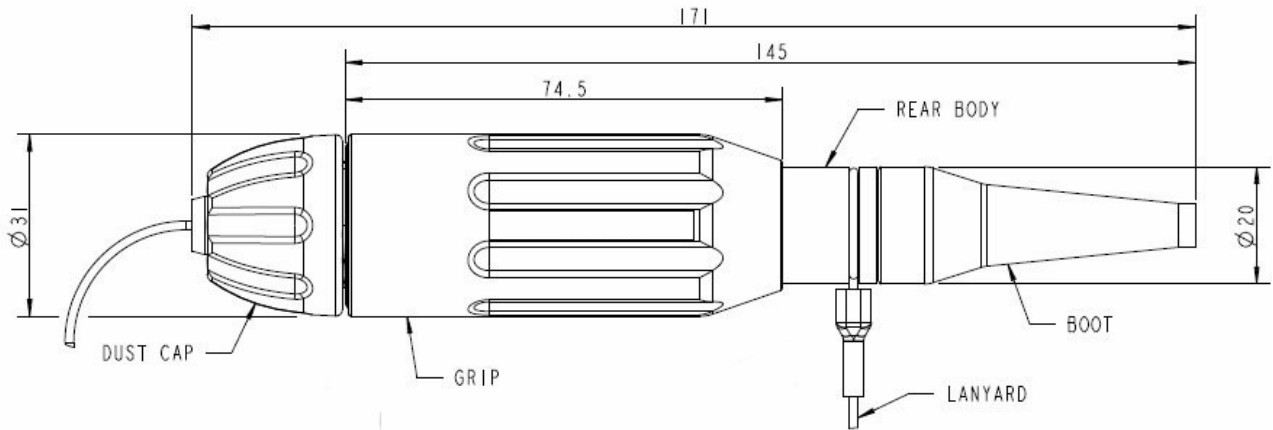
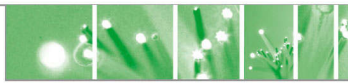


Fig. 2 Plug connector dimensions (mm)

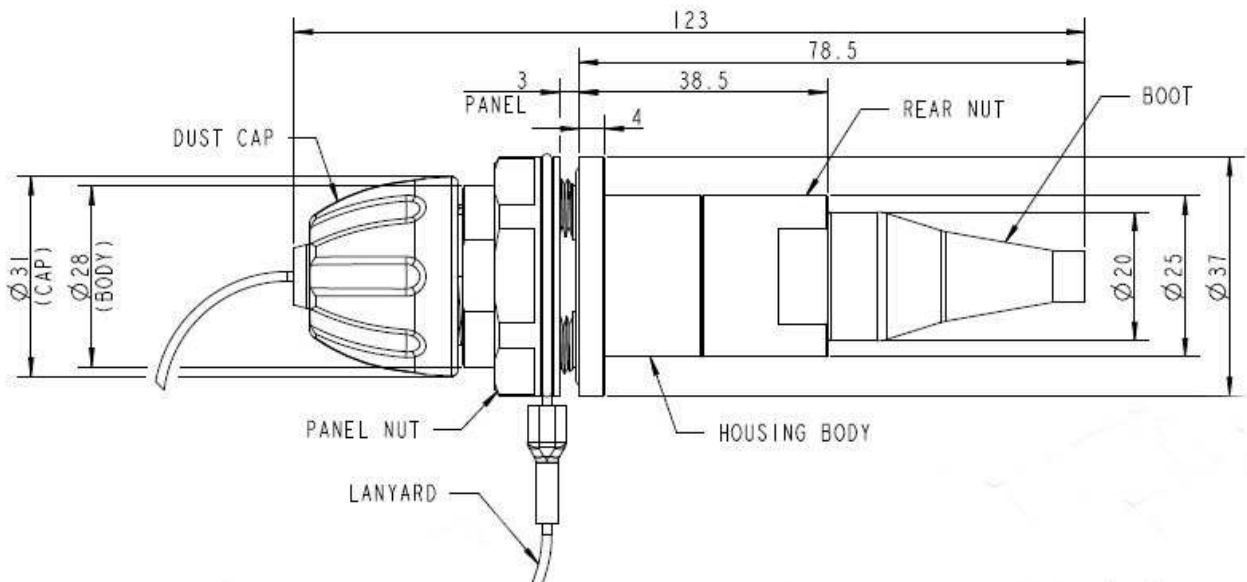


Fig. 3 Bulkhead connector dimensions (mm)

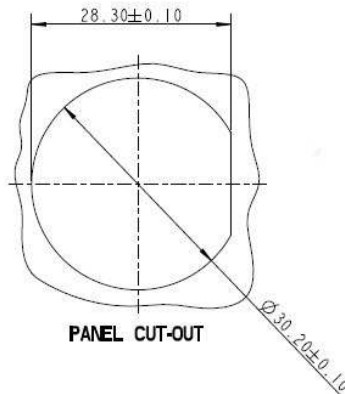


Fig. 4 Panel CUT-OUT (mm)