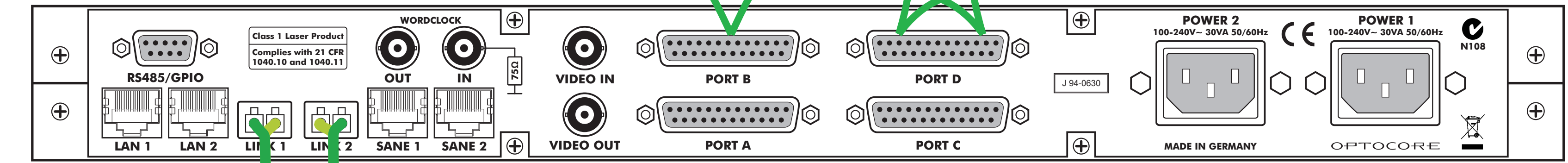
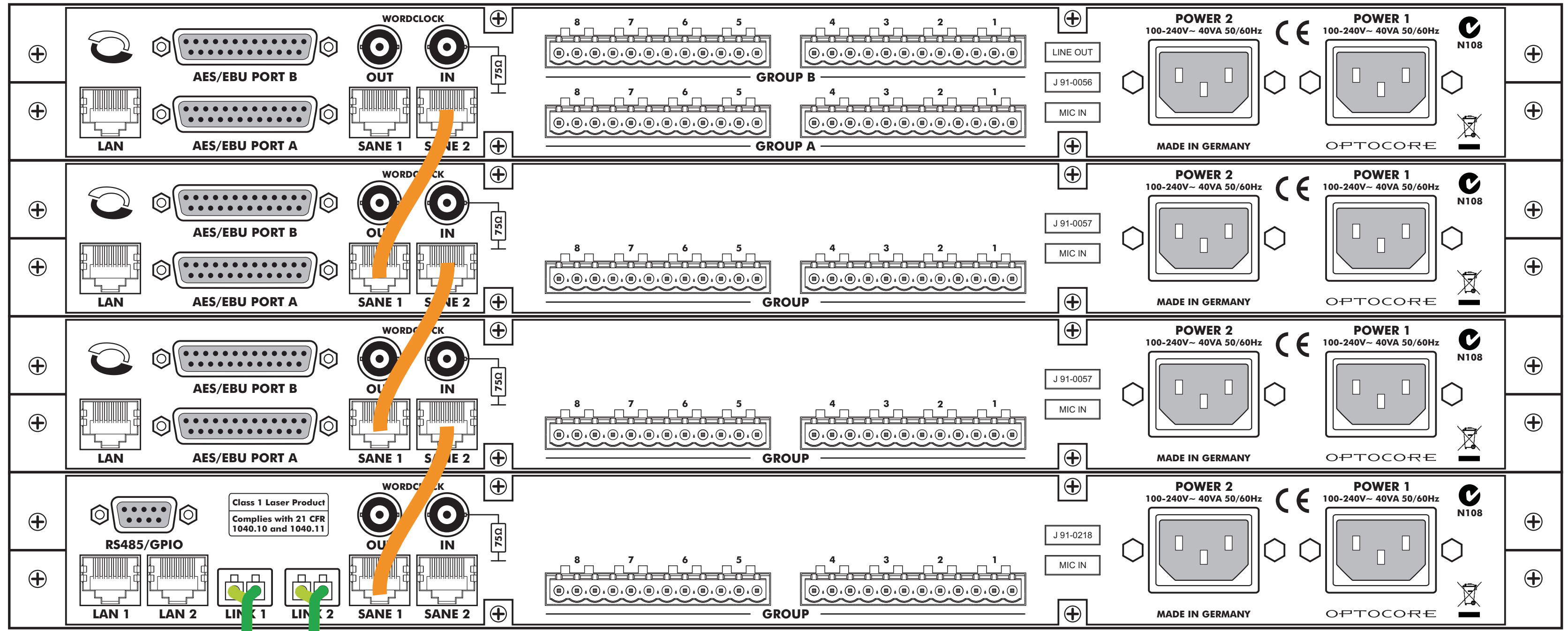
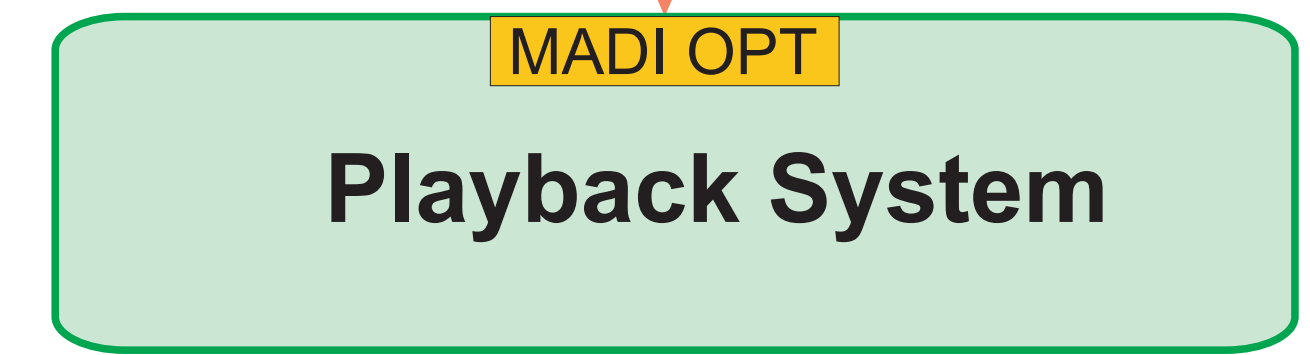
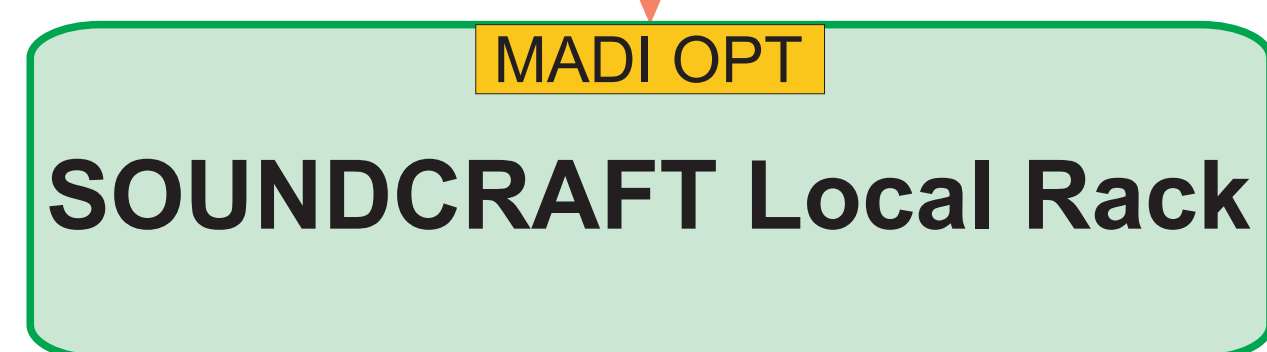
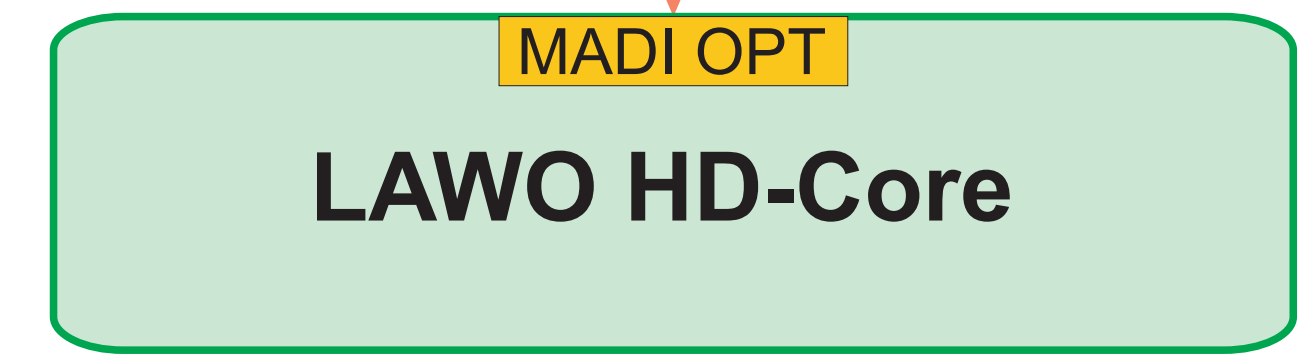
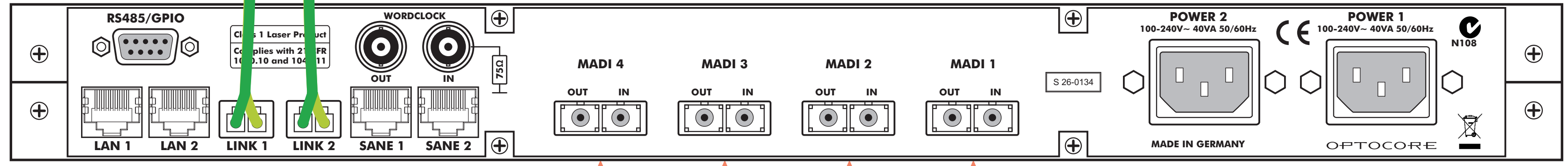


- X6R-TP-16LO**  
16 x LINE OUTPUTS  
16 x AES/EBU I/O  
1 x WC I/O  
2 x LAN 100Mbit
- X6R-TP-DualMIC**  
8 x MIC INPUTS  
16 x AES/EBU I/O  
1 x WC I/O, 1 x LAN
- X6R-TP-DualMIC**  
8 x MIC INPUTS  
16 x AES/EBU I/O  
1 x WC I/O, 1 x LAN
- X6R-FX-DualMIC**  
8 x MIC INPUTS  
1 x WC I/O  
4 x RS485, 3 x LAN



- DD32R-FX**  
32 x AES/EBU I/O  
1 x WC I/O,  
1 x Composit Video  
4 x RS485, 4 x LAN

- M8-OPT**  
4 x OPTICAL MADI I/O  
1 x WORD CLOCK I/O,  
4 x LAN, 4 x Rs485



**SYSTEM DESCRIPTION**

M8-OPT is connected in the Optocore Fibre redundant network allowing to enable Emulation Mode for the 3rd party consoles. X6R-DualMic devices are used to provide a unique capability to have an independent gain control for each console connected to the system. DD32R-FX is used as an AES/EBU I/O interface for additional digital signal operations with DSP processor.

- Duplex Multimode Fibre with SC connectors
- Optocore - multimode crossed duplex fiber cable
- AES/EBU multicore cable

